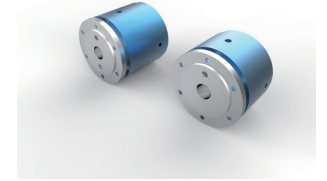


## NSF Series – Hollow Pneumatic/Hydraulic Slip Ring

Pneumatic/Hydraulic rotary joint is designed for rotary apparatus and it can provide safe and stable hybrid transmission for multi-channel air pressure and fluid media. With modular design, it is more stable and reliable. Pneumatic/Hydraulic rotary joint can support positive pressure 90MPa and negative pressure -10MPa. With the 10mm through bore, it is easy to cross the wires and other devices.



### Features

- With 20mm, 30mm through hole, it can transmit liquid and gas when it's free 360 degrees rotating
- Support 1/2/3/4/5/6/8/10/12/16 pneumatic/hydraulic channels
- Standard connectors: M5, G1/8, G1/4, G3/8, G1/2, G3/4, G1, etc.
- Liquid and gas tube size can be customized
- Transmitting media type: Compressed air, Hydrogen, Nitrogen, Chemical mixed gas, Steam, Cooling water, Hot water, Hot oil, Petroleum, Sulphur acid, Drinks, etc.
- Rotary joints can be customized according to special requirements such as high speed, high voltage, etc.

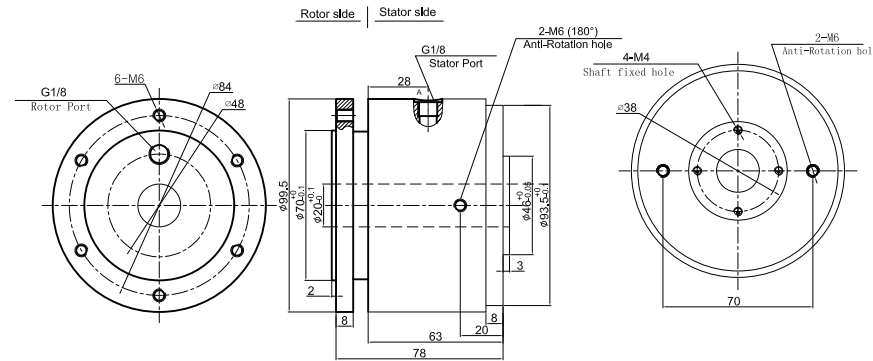
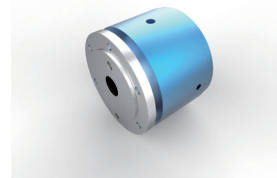
### Model# List

Model	Channel No.	Connector size	Tube size	Remark
NSF020099001 NSF020099002	1 in 1 out	G1/8 ; G1/4 ;	3mm~12mm	20mm
NSF030099001 NSF030099002	1 in 1 out	G1/8 ; G1/4 ;	3mm~12mm	30mm
NSF020099003 NSF020099004	2 in 2 out	G1/8 ; G1/4 ;	3mm~12mm	20mm
NSF030099003 NSF030099004	2 in 2 out	G1/8 ; G1/4 ;	3mm~12mm	30mm
NSF020099005 NSF020099006	3 in 3 out	G1/8 ; G1/4 ;	3mm~12mm	20mm
NSF030099005 NSF030099006	3 in 3 out	G1/8 ; G1/4 ;	3mm~12mm	30mm
NSF020099007 NSF020099008	4 in 4 out	G1/8 ; G1/4 ;	3mm~12mm	20mm
NSF030099007 NSF030099008	4 in 4 out	G1/8 ; G1/4 ;	3mm~12mm	30mm

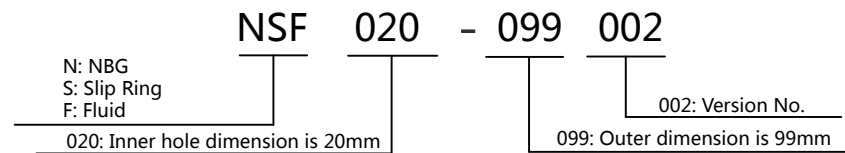
Contact the customer service if you have special requirements..

# NSF020099002

1 in 1 out pneumatic/hydraulic through-bore rotating slip ring with bore size 20mm and G1/8, G1/4 connectors.  
 Transmitting media type: Compressed air, Hydrogen, Nitrogen, Chemical mixed gas, Steam, Cooling water, Hot water, Hot oil, Petroleum, Sulphur acid, Drinks, etc.



## Part# Explanation



## Part# No.

Model	Channel	Torque ( N.M)	Connector Size	ID
NSF020099001	1 in 1 out	3	G1/8	20mm
NSF020099002	1 in 1 out	4	G1/4	20mm

## Specifications

Rotary joint specifications	
Parameter	Value
Channels	1 in 1 out
Max. Pressure	10MPa(Customized), Vacuum 0.01torr
Torque	Depend on connectors, see part list
Max. rotating speed	100RPM
Lifetime	30 million revs

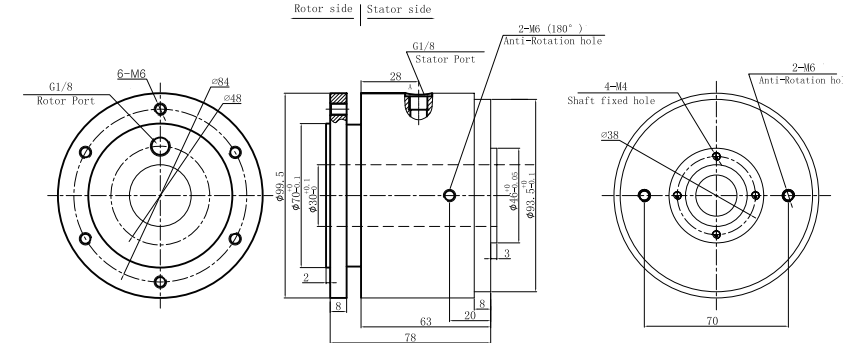
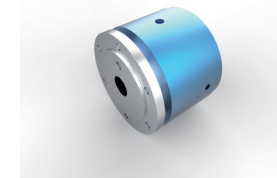
## Options

Below special demands can be customized. According, the delivery date will be extended 3 to 15 days, and the cost will be increased 30% to 50%. Most of our basic parts are standard and modular, which can save the cost and lead time.

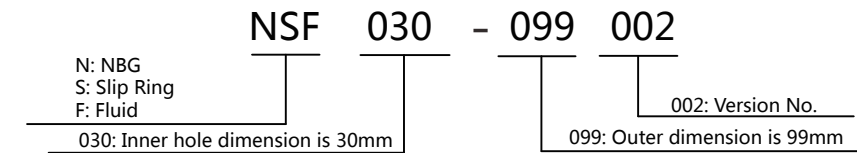
- \* Connector type
- \* Pressure
- \* Rotating speed
- \* Internal hole size of through bore
- \* Corrosive media, stainless steel, explosion-proof, high temperature
- \* Combine with electrical slip ring

# NSF030099002

1 in 1 out pneumatic/hydraulic through-bore rotating slip ring with bore size 30mm and G1/8, G1/4 connectors.  
 Transmitting media type: Compressed air, Hydrogen, Nitrogen, Chemical mixed gas, Steam, Cooling water, Hot water, Hot oil, Petroleum, Sulphur acid, Drinks, etc.



## Part# Explanation



## Part# No.

Model	Channel	Torque ( N.M)	Connector Size	ID
NSF030099001	1 in 1 out	3	G1/8	30mm
NSF030099002	1 in 1 out	4	G1/4	30mm

## Specifications

Rotary joint specifications	
Parameter	Value
Channels	1 in 1 out
Max. Pressure	10MPa(Customized), Vacuum 0.01torr
Torque	Depend on connectors, see part list
Max. rotating speed	100RPM
Lifetime	30 million revs

## Options

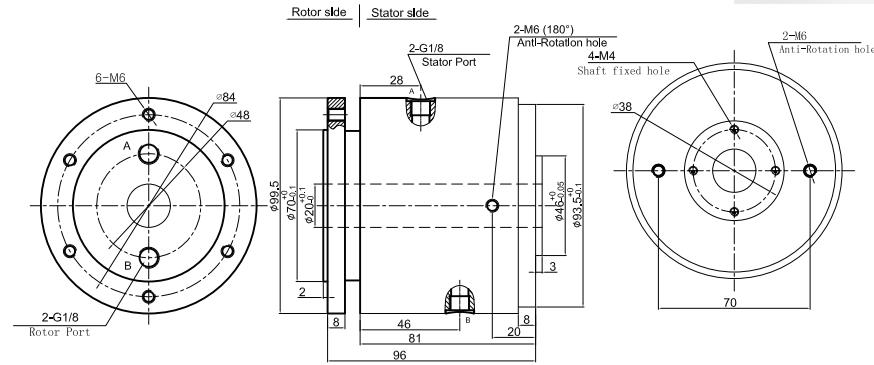
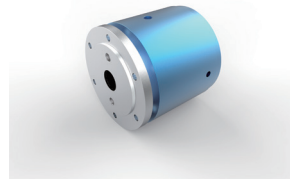
Below special demands can be customized. According, the delivery date will be extended 3 to 15 days, and the cost will be increased 30% to 50%. Most of our basic parts are standard and modular, which can save the cost and lead time.

- \* Connector type
- \* Pressure
- \* Rotating speed
- \* Internal hole size of through bore
- \* Corrosive media, stainless steel, explosion-proof, high temperature
- \* Combine with electrical slip ring

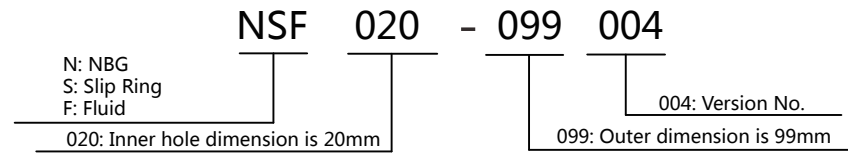
# NSF020099004

2 in 2 out pneumatic/hydraulic through-bore rotating slip ring with bore size 20mm and G1/8, G1/4 connectors.

Transmitting media type: Compressed air, Hydrogen, Nitrogen, Chemical mixed gas, Steam, Cooling water, Hot water, Hot oil, Petroleum, Sulphur acid, Drinks, etc.



## Part# Explanation



## Part# No.

Model	Channel	Torque ( N.M)	Connector Size	ID
NSF020099003	2 in 2 out	3	G1/8	20mm
NSF020099004	2 in 2 out	4	G1/4	20mm

## Specifications

Rotary joint specifications	
Parameter	Value
Channels	2 in 2 out
Max. Pressure	10MPa(Customized), Vacuum 0.01torr
Torque	Depend on connectors, see part list
Max. rotating speed	100RPM
Lifetime	30 million revs

## Options

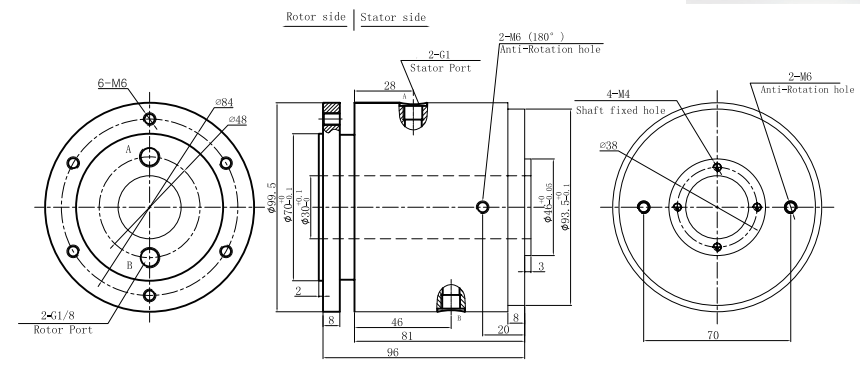
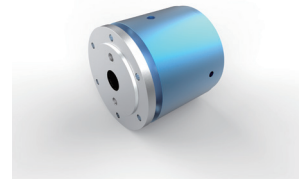
Below special demands can be customized. According, the delivery date will be extended 3 to 15 days, and the cost will be increased 30% to 50%. Most of our basic parts are standard and modular, which can save the cost and lead time.

- \* Connector type
- \* Pressure
- \* Rotating speed
- \* Internal hole size of through bore
- \* Corrosive media, stainless steel, explosion-proof, high temperature
- \* Combine with electrical slip ring

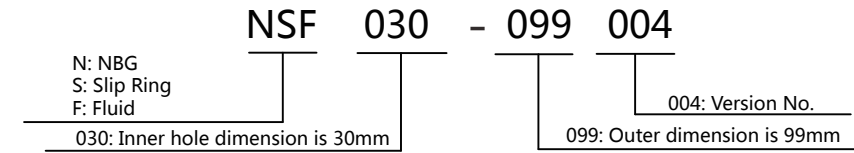
# NSF030099004

2 in 2 out pneumatic/hydraulic through-bore rotating slip ring with bore size 30mm and G1/8, G1/4 connectors.

Transmitting media type: Compressed air, Hydrogen, Nitrogen, Chemical mixed gas, Steam, Cooling water, Hot water, Hot oil, Petroleum, Sulphur acid, Drinks, etc.



## Part# Explanation



## Part# No.

Model	Channel	Torque ( N.M)	Connector Size	ID
NSF030099003	2 in 2 out	3	G1/8	30mm
NSF030099004	2 in 2 out	4	G1/4	30mm

## Specifications

Rotary joint specifications	
Parameter	Value
Channels	2 in 2 out
Max. Pressure	10MPa(Customized), Vacuum 0.01torr
Torque	Depend on connectors, see part list
Max. rotating speed	100RPM
Lifetime	30 million revs

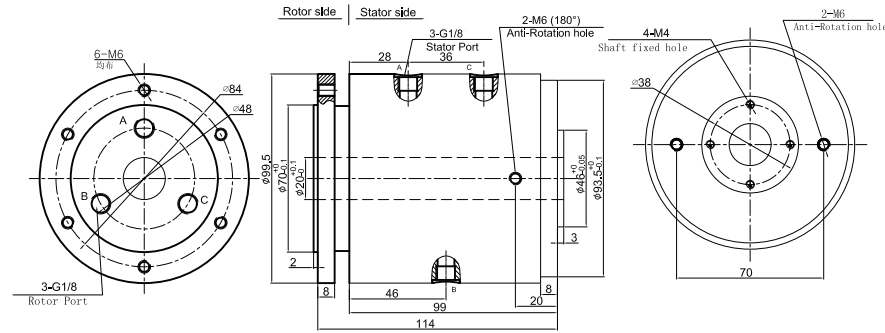
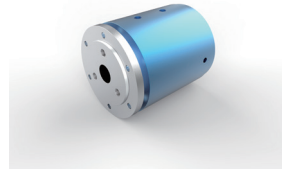
## Options

Below special demands can be customized. According, the delivery date will be extended 3 to 15 days, and the cost will be increased 30% to 50%. Most of our basic parts are standard and modular, which can save the cost and lead time.

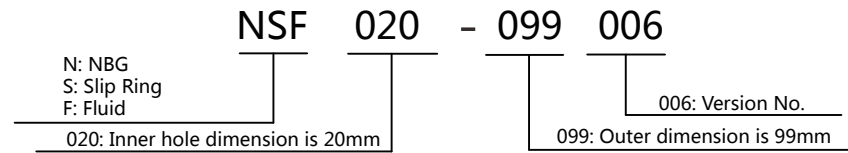
- \* Connector type
- \* Pressure
- \* Rotating speed
- \* Internal hole size of through bore
- \* Corrosive media, stainless steel, explosion-proof, high temperature
- \* Combine with electrical slip ring

# NSF020099006

3 in 3 out pneumatic/hydraulic through-bore rotating slip ring with bore size 20mm and G1/8, G1/4 connectors.  
 Transmitting media type: Compressed air, Hydrogen, Nitrogen, Chemical mixed gas, Steam, Cooling water, Hot water, Hot oil, Petroleum, Sulphur acid, Drinks, etc.



## Part# Explanation



## Part# No.

Model	Channel	Torque ( N.M)	Connector Size	ID
NSF020099005	3 in 3 out	5	G1/8	20mm
NSF020099006	3 in 3 out	6	G1/4	20mm

## Specifications

Rotary joint specifications	
Parameter	Value
Channels	3 in 3 out
Max. Pressure	10MPa(Customized), Vacuum 0.01torr
Torque	Depend on connectors, see part list
Max. rotating speed	100RPM
Lifetime	30 million revs

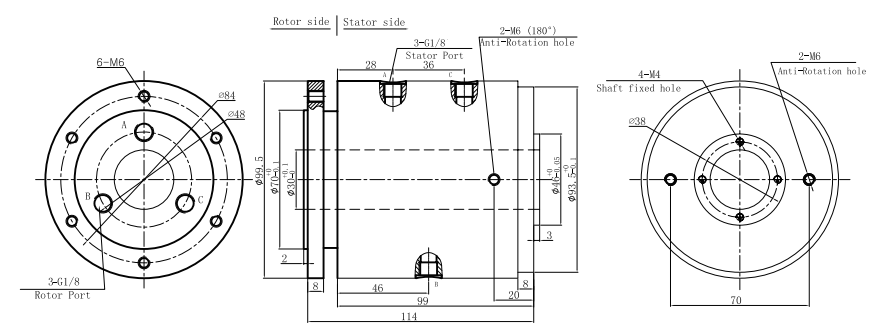
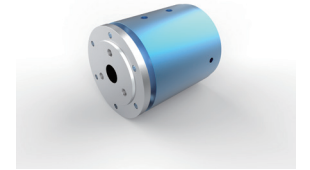
## Options

Below special demands can be customized. According, the delivery date will be extended 3 to 15 days, and the cost will be increased 30% to 50%. Most of our basic parts are standard and modular, which can save the cost and lead time.

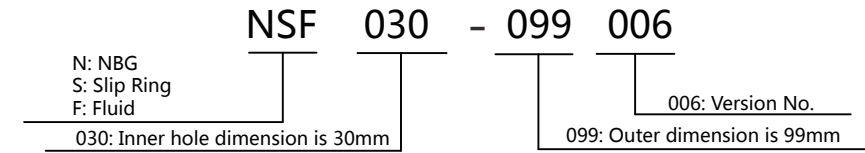
- \* Connector type
- \* Pressure
- \* Rotating speed
- \* Internal hole size of through bore
- \* Corrosive media, stainless steel, explosion-proof, high temperature
- \* Combine with electrical slip ring

# NSF030099006

3 in 3 out pneumatic/hydraulic through-bore rotating slip ring with bore size 30mm and G1/8, G1/4 connectors.  
 Transmitting media type: Compressed air, Hydrogen, Nitrogen, Chemical mixed gas, Steam, Cooling water, Hot water, Hot oil, Petroleum, Sulphur acid, Drinks, etc.



## Part# Explanation



## Part# No.

Model	Channel	Torque ( N.M)	Connector Size	ID
NSF030099005	3 in 3 out	5	G1/8	30mm
NSF030099006	3 in 3 out	6	G1/4	30mm

## Specifications

Rotary joint specifications	
Parameter	Value
Channels	3 in 3 out
Max. Pressure	10MPa(Customized), Vacuum 0.01torr
Torque	Depend on connectors, see part list
Max. rotating speed	100RPM
Lifetime	30 million revs

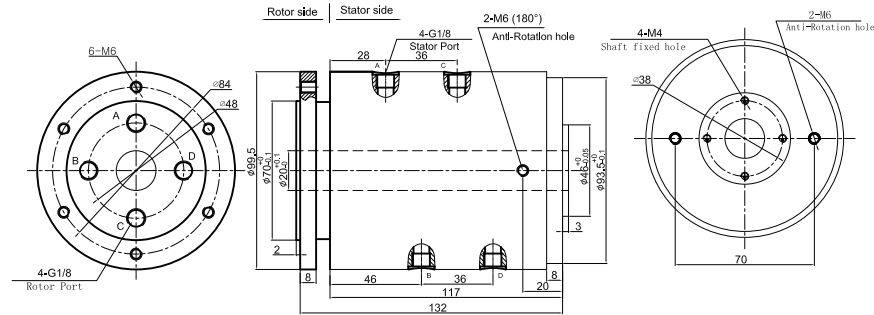
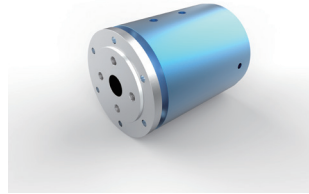
## Options

Below special demands can be customized. According, the delivery date will be extended 3 to 15 days, and the cost will be increased 30% to 50%. Most of our basic parts are standard and modular, which can save the cost and lead time.

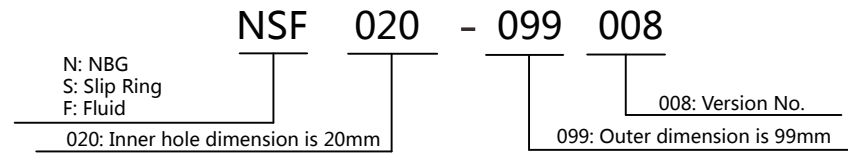
- \* Connector type
- \* Pressure
- \* Rotating speed
- \* Internal hole size of through bore
- \* Corrosive media, stainless steel, explosion-proof, high temperature
- \* Combine with electrical slip ring

# NSF020099008

4 in 4 out pneumatic/hydraulic through-bore rotating slip ring with bore size 20mm and G1/8, G1/4 connectors.  
 Transmitting media type: Compressed air, Hydrogen, Nitrogen, Chemical mixed gas, Steam, Cooling water, Hot water, Hot oil, Petroleum, Sulphur acid, Drinks, etc.



## Part# Explanation



## Part# No.

Model	Channel	Torque ( N.M)	Connector Size	ID
NSF020099007	4 in 4 out	6	G1/8	20mm
NSF020099008	4 in 4 out	7	G1/4	20mm

## Specifications

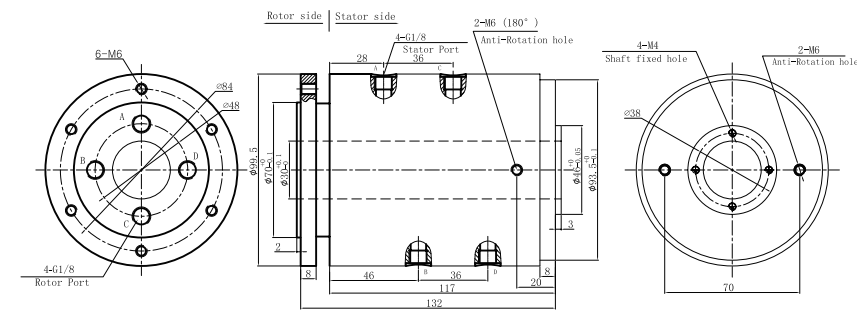
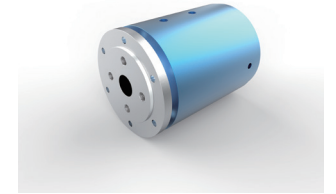
Rotary joint specifications	
Parameter	Value
Channels	4 in 4 out
Max. Pressure	10MPa(Customized), Vacuum 0.01torr
Torque	Depend on connectors, see part list
Max. rotating speed	100RPM
Lifetime	30 million revs

Below special demands can be customized. According, the delivery date will be extended 3 to 15 days, and the cost will be increased 30% to 50%. Most of our basic parts are standard and modular, which can save the cost and lead time.

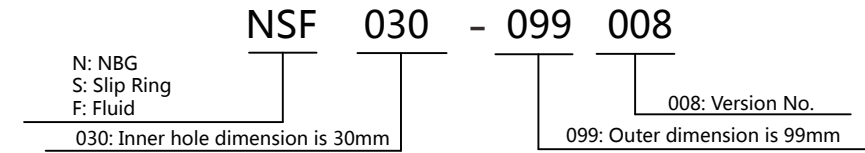
- \* Connector type
- \* Pressure
- \* Rotating speed
- \* Internal hole size of through bore
- \* Corrosive media, stainless steel, explosion-proof, high temperature
- \* Combine with electrical slip ring

# NSF030099008

4 in 4 out pneumatic/hydraulic through-bore rotating slip ring with bore size 30mm and G1/8, G1/4 connectors.  
 Transmitting media type: Compressed air, Hydrogen, Nitrogen, Chemical mixed gas, Steam, Cooling water, Hot water, Hot oil, Petroleum, Sulphur acid, Drinks, etc..



## Part# Explanation



## Part# No.

Model	Channel	Torque ( N.M)	Connector Size	ID
NSF030099007	4 in 4 out	6	G1/8	30mm
NSF030099008	4 in 4 out	7	G1/4	30mm

## Specifications

Rotary joint specifications	
Parameter	Value
Channels	4 in 4 out
Max. Pressure	10MPa(Customized), Vacuum 0.01torr
Torque	Depend on connectors, see part list
Max. rotating speed	100RPM
Lifetime	30 million revs

## Options

Below special demands can be customized. According, the delivery date will be extended 3 to 15 days, and the cost will be increased 30% to 50%. Most of our basic parts are standard and modular, which can save the cost and lead time.

- \* Connector type
- \* Pressure
- \* Rotating speed
- \* Internal hole size of through bore
- \* Corrosive media, stainless steel, explosion-proof, high temperature
- \* Combine with electrical slip ring