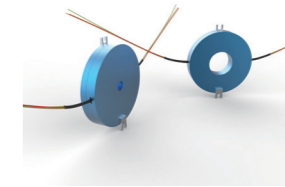


NST Series – Pancake Slip Ring

Pancake slip ring is designed for the space with limited height, it can expand lateral space to meet the requirement of special space.

Features

- Low torque, low loss, maintenance-free, low electric noise, long lifetime
- Pancake slip ring uses vacuum assistance resin infusion process
- Min. thickness can be 15.8mm with super hard gold-plated surface treatment
- Brushes are made of precious metal, which have high stability, high reliability to ensure



Model# List

Model	ID (mm)	Thickness (mm)	Rings No. (Circuits)
NST012002003~ NST012024006	12.7	20	2~24
NST025002010~ NST025048019	25.4	22	2~48
NST040002001~ NST040024001	40	30	2~24
NST050002015~ NST050048007	50	30	2~48
NST070002003~ NST070048007	70	30	2~48
NST012002005~ NST012024010	12.7	15.8~27	2~24
NST025002012~ NST025024026	25.4	17.1~30.7	2~24
NST040002003~ NST040024005	40	17.1~30.7	2~24
NST050002017~ NST050024014	50	17.1~30.7	2~24
NST070002005~ NST070024014	70	17.5~29.5	2~24
NST080002003~ NST080024010	80	18.2~31	2~24

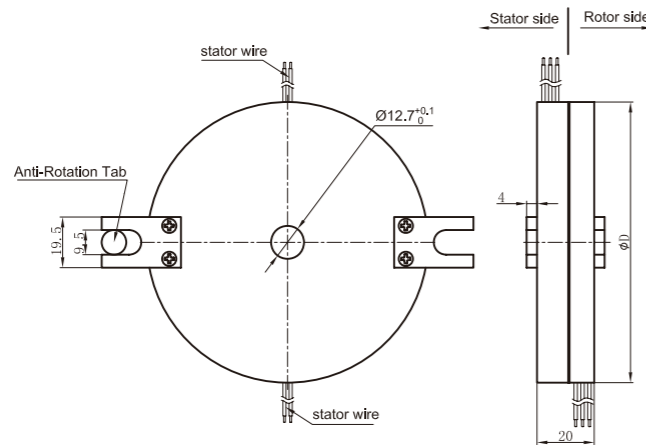
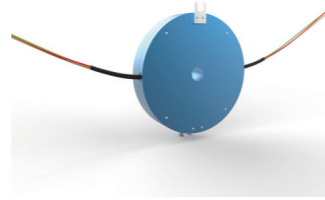
Contact the customer service if you have special requirements.

NST012024006

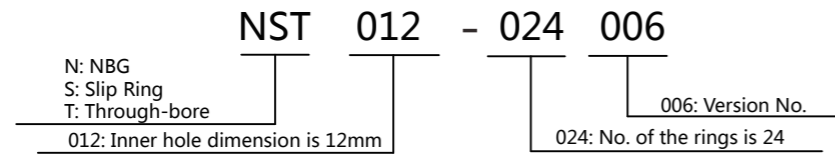
Pancake slip ring which OD is 12~13mm, thickness is 20mm.

Features

- Low torque, low loss, maintenance-free, low electric noise, long lifetime
- Pancake slip ring uses vacuum assistance resin infusion process
- Brushes are made of precious metal, which have high stability, high reliability to ensure good transmission and rotation.



Part# Explanation



Part# List

Model	Rings No. (5A) *	Rings No. (10A) *	Rings No. (20A) *	OD φD (mm)
NST012002003	2	0	0	76
NST012002004	0	2	0	76
NST012004003	2	2	0	92
NST012004004	0	4	0	92
NST012006003	6	0	0	108
NST012006004	0	6	0	108
NST012006005	0	0	6	108
NST012006006	4	2	0	108
NST012012003	12	0	0	156
NST012012004	0	12	0	156
NST012012005	0	0	12	156
NST012012006	6	6	0	156
NST012012007	6	0	6	156
NST012018003	18	0	0	204
NST012018004	0	18	0	204
NST012018005	12	6	0	204
NST012018006	6	12	0	204
NST012018007	10	8	0	204
NST012024003	24	0	0	252
NST012024004	0	24	0	252
NST012024005	6	18	0	252
NST012024006	12	12	0	252

Specifications

Mechanical Data		Electrical Data		
Parameter	Value	Parameter	Value	
			Power	Signal
Lifetime	10~120 million revs	Rated Voltage	0~440VAC/VDC	0~240VAC/VDC
Rotating speed	0~300 RPM	Insulation Resistance	≥1000MΩ/500VDC	≥1000MΩ/500VDC
Working Temperature	-30°C~80°C	Lead Wire	Customizable	Customizable
Operating Humidity	0~85% RH	Lead Length	Standard Length 300mm(adjustable)	
Contact Material	Gold-Gold (silver)	Insulating Strength	500VAC@50Hz , 60s	
Housing Material	aluminum alloy	Electric Noise	<0.01Ω	
Torque	0.1N.m ; +0.03N.m/6 rings			
Protection Grade	IP51~IP68			

Lead wires Color Code

Ring	1	2	3	4	5	6
Color	RED	WHT	BLU	BLK	YEL	GRY
Ring	7	8	9	10	11	12
Color	PUR	GRN	PNK	ORG	BRN	SLV

Contact the customer service if you have special requirements.

Options

Below special demands can be customized. According, the delivery date will be extended 3 to 15 days, and the cost will be increased 30% to 50%. Most of our basic parts are standard and modular, which can save the cost and lead time.

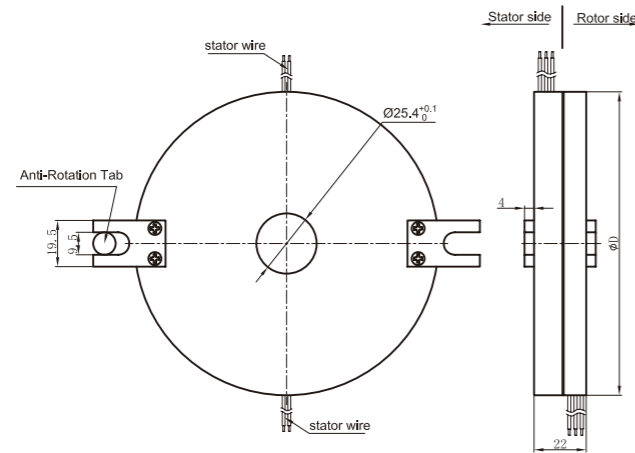
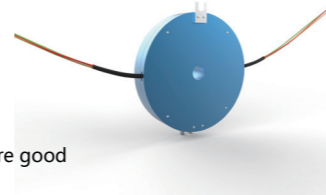
- * Cable exit way and cable length can be customized for both rotor and stator
- * Because of the structure limitation, length/height/OD can be customized for both rotor and stator
- * Support current or signal up to 200 rings
- * Optional aviation plug, terminal and heat-shrink tube
- * Hybrid slip ring for all brands of servo control signal, power line and encoder line
- * Support mixed high speed data transmission(including Ethernet, USB, RS232, RS485、 Profibus、 CanBUS、 CANOPEN、 DeviceNET、 CC-LINK、 ProfiNET、 EtherCAT, etc)
- * Combine temperature control signal with thermocouple signal
- * Special environment can be customized, such as quakeproof, high temperature, etc.
- * Hybrid pneumatic/hydraulic and electric slip ring can be mixed
- * Up to 500 degrees high temperature
- * Up to 110KV high voltage
- * Up to 20000RPM rotating speed
- * Maximum current can be up to 5000A
- * Military grade
- * Optional waterproof and underwater mode
- * Optional IP68
- * Optional C5 anti-corrosion grade
- * Optional stainless steel housing

NST025048019

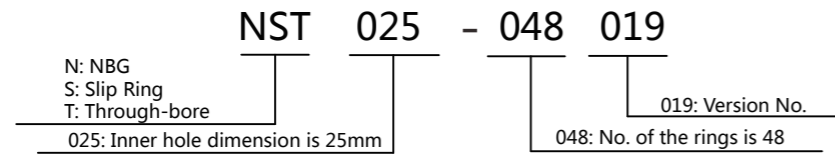
Pancake slip ring which OD is 25~26mm, thickness is 22mm.

Features

- Low torque, low loss, maintenance-free, low electric noise, long lifetime
- Pancake slip ring uses vacuum assistance resin infusion process
- Brushes are made of precious metal, which have high stability, high reliability to ensure good transmission and rotation.



Part# Explanation



Part# List

Model	Rings No. (5A) *	Rings No. (10A) *	Rings No. (20A) *	OD φD (mm)
NST025002010	2	0	0	92
NST025002011	0	2	0	92
NST025004007	2	2	0	108
NST025004008	0	4	0	108
NST025006015	6	0	0	124
NST025006016	0	6	0	124
NST025006017	0	0	6	124
NST025006018	4	2	0	124
NST025012024	12	0	0	172
NST025012025	0	12	0	172
NST025012026	0	0	12	172
NST025012027	6	6	0	172
NST025012028	6	0	6	172
NST025018028	18	0	0	216
NST025018029	0	18	0	216
NST025018030	12	6	0	216
NST025018031	6	12	0	216
NST025018032	10	8	0	216
NST025024019	24	0	0	268
NST025024020	0	24	0	268
NST025024021	6	18	0	268
NST025024022	12	12	0	268
NST025036013	36	0	0	364
NST025048019	48	0	0	460

N rings 5A in parallel can be used as 1 channel N*5A. For example: 2 rings 5A in parallel can be used as 1 channel 10A
Contact the customer service if you have special requirements..

Specifications

Mechanical Data		Electrical Data		
Parameter	Value	Parameter	Value	
			Power	Signal
Lifetime	10~120 million revs	Rated Voltage	0~440VAC/VDC	0~240VAC/VDC
Rotating speed	0~300 RPM	Insulation Resistance	≥1000MΩ/500VDC	≥1000MΩ/500VDC
Working Temperature	-30°C~80°C	Lead Wire	Customizable	Customizable
Operating Humidity	0~85% RH	Lead Length	Standard Length 300mm(adjustable)	
Contact Material	Gold-Gold (silver)	Insulating Strength	500VAC@50Hz , 60s	
Housing Material	aluminum alloy	Electric Noise	<0.01Ω	
Torque	0.1N.m ; +0.03N.m/6 rings			
Protection Grade	IP51~IP68			

Lead wires Color Code

Ring	1	2	3	4	5	6
Color	RED	WHT	BLU	BLK	YEL	GRY
Ring	7	8	9	10	11	12
Color	PUR	GRN	PNK	ORG	BRN	SLV

Contact the customer service if you have special requirements.

Options

Below special demands can be customized. According, the delivery date will be extended 3 to 15 days, and the cost will be increased 30% to 50%. Most of our basic parts are standard and modular, which can save the cost and lead time.

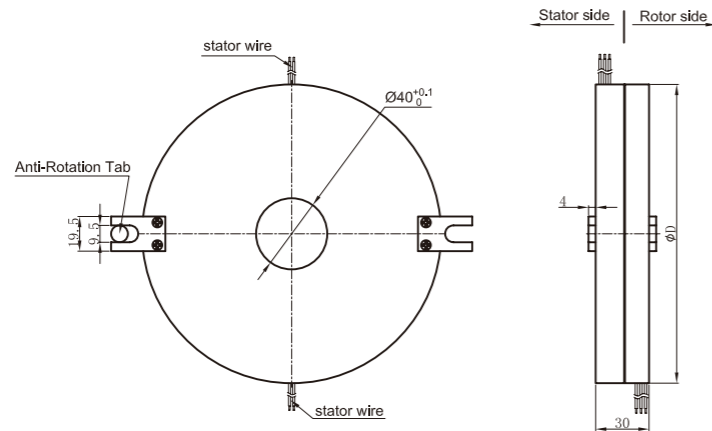
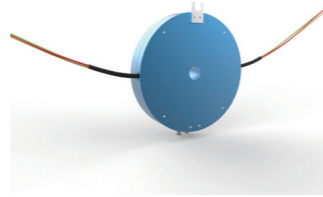
- * Cable exit way and cable length can be customized for both rotor and stator
- * Because of the structure limitation, length/height/OD can be customized for both rotor and stator
- * Support current or signal up to 200 rings
- * Optional aviation plug, terminal and heat-shrink tube
- * Hybrid slip ring for all brands of servo control signal, power line and encoder line
- * Support mixed high speed data transmission(including Ethernet, USB, RS232, RS485、 Profibus、 CanBUS、 CANOPEN、 DeviceNET、 CC-LINK、 ProfiNET、 EtherCAT, etc)
- * Combine temperature control signal with thermocouple signal
- * Special environment can be customized, such as quakeproof, high temperature, etc.
- * Hybrid pneumatic/hydraulic and electric slip ring can be mixed
- * Up to 500 degrees high temperature
- * Up to 110KV high voltage
- * Up to 20000RPM rotating speed
- * Maximum current can be up to 5000A
- * Military grade
- * Optional waterproof and underwater mode
- * Optional IP68
- * Optional C5 anti-corrosion grade
- * Optional stainless steel housing

NST040024001

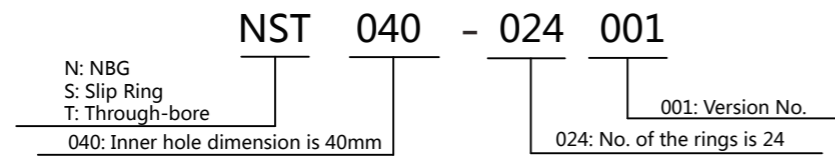
Pancake slip ring which OD is 40~41mm, thickness is 20mm.

Features

- Low torque, low loss, maintenance-free, low electric noise, long lifetime
- Pancake slip ring uses vacuum assistance resin infusion process
- Brushes are made of precious metal, which have high stability, high reliability to ensure good transmission and rotation



Part# Explanation



Part# List

Model	Rings No. (5A) *	Rings No. (10A) *	Rings No. (20A) *	OD φD (mm)
NST040002001	2	0	0	120
NST040002002	0	2	0	120
NST040004001	2	2	0	136
NST040004002	0	4	0	136
NST040006001	6	0	0	152
NST040006002	0	6	0	152
NST040006003	0	0	6	152
NST040006004	4	2	0	152
NST040012001	12	0	0	200
NST040012002	0	12	0	200
NST040012003	0	0	12	200
NST040012004	6	6	0	200
NST040012005	6	0	6	200
NST040018001	18	0	0	248
NST040018002	0	18	0	248
NST040018003	12	6	0	248
NST040018004	6	12	0	248
NST040018005	10	8	0	248
NST040024001	24	0	0	296

N rings 5A in parallel can be used as 1 channel N*5A. For example: 2 rings 5A in parallel can be used as 1 channel 10A
Contact the customer service if you have special requirements.

Specifications

Mechanical Data		Electrical Data		
Parameter	Value	Parameter	Value	
			Power	Signal
Lifetime	10~120 million revs	Rated Voltage	0~440VAC/VDC	0~240VAC/VDC
Rotating speed	0~300 RPM	Insulation Resistance	≥1000MΩ/500VDC	≥1000MΩ/500VDC
Working Temperature	-30°C~80°C	Lead Wire	Customizable	Customizable
Operating Humidity	0~85% RH	Lead Length	Standard Length 300mm(adjustable)	
Contact Material	Gold-Gold (silver)	Insulating Strength	500VAC@50Hz , 60s	
Housing Material	aluminum alloy	Electric Noise	<0.01Ω	
Torque	0.1N.m ; +0.03N.m/6 rings			
Protection Grade	IP51~IP68			

Lead wires Color Code

Ring	1	2	3	4	5	6
Color	RED	WHT	BLU	BLK	YEL	GRY
Ring	7	8	9	10	11	12
Color	PUR	GRN	PNK	ORG	BRN	SLV

Contact the customer service if you have special requirements.

Options

Below special demands can be customized. According, the delivery date will be extended 3 to 15 days, and the cost will be increased 30% to 50%. Most of our basic parts are standard and modular, which can save the cost and lead time.

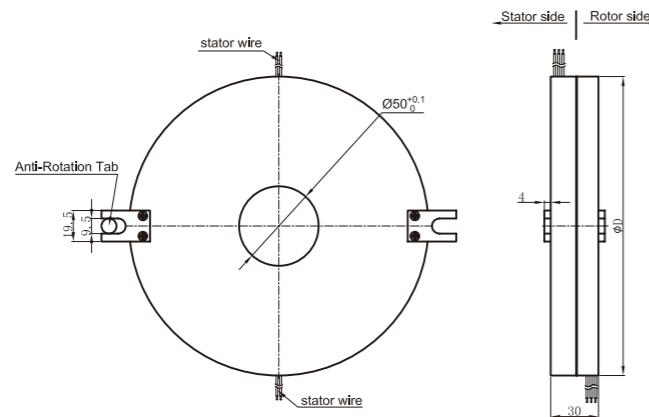
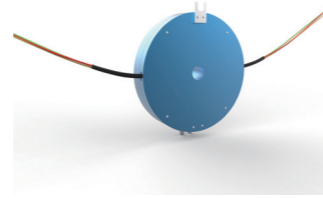
- * Cable exit way and cable length can be customized for both rotor and stator
- * Because of the structure limitation, length/height/OD can be customized for both rotor and stator
- * Support current or signal up to 200 rings
- * Optional aviation plug, terminal and heat-shrink tube
- * Hybrid slip ring for all brands of servo control signal, power line and encoder line
- * Support mixed high speed data transmission(including Ethernet, USB, RS232, RS485, Profibus, CanBUS, CANOPEN, DeviceNET, CC-LINK, ProfiNET, EtherCAT, etc)
- * Combine temperature control signal with thermocouple signal
- * Special environment can be customized, such as quakeproof, high temperature, etc.
- * Hybrid pneumatic/hydraulic and electric slip ring can be mixed
- * Up to 500 degrees high temperature
- * Up to 110KV high voltage
- * Up to 20000RPM rotating speed
- * Maximum current can be up to 5000A
- * Military grade
- * Optional waterproof and underwater mode
- * Optional IP68
- * Optional C5 anti-corrosion grade
- * Optional stainless steel housing

NST050048007

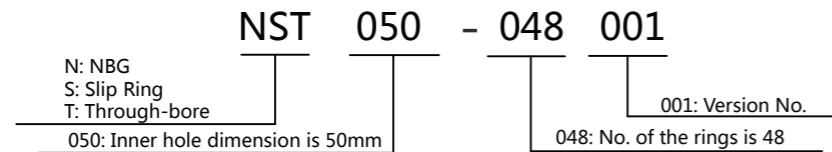
Pancake slip ring which OD is 50~51mm, thickness is 30mm.

Features

- Low torque, low loss, maintenance-free, low electric noise, long lifetime
- Pancake slip ring uses vacuum assistance resin infusion process
- Brushes are made of precious metal, which have high stability, high reliability to ensure good transmission and rotation



Part# Explanation



Part# List

Model	Rings No. (5A) *	Rings No. (10A) *	Rings No. (20A) *	OD φD (mm)
NST050002015	2	0	0	140
NST050002016	0	2	0	140
NST050004012	2	2	0	156
NST050004013	0	4	0	156
NST050006013	6	0	0	172
NST050006014	0	6	0	172
NST050006015	0	0	6	172
NST050006016	4	2	0	172
NST050012008	12	0	0	220
NST050012009	0	12	0	220
NST050012010	0	0	12	220
NST050012011	6	6	0	220
NST050012012	6	0	6	220
NST050018010	18	0	0	268
NST050018011	0	18	0	268
NST050018012	12	6	0	268
NST050018013	6	12	0	268
NST050018014	10	8	0	268
NST050024007	24	0	0	316
NST050024008	0	24	0	316
NST050024009	6	18	0	316
NST050024010	12	12	0	316
NST050036005	36	0	0	412
NST050048007	48	0	0	508

注：N个5A滑道并起来可作为1路N*5A滑道使用；比如2环5A并起来做作为1路10A使用。如有特殊要求，请咨询客服。

Specifications

Mechanical Data		Electrical Data		
Parameter	Value	Parameter	Value	
			Power	Signal
Lifetime	10~120 million revs	Rated Voltage	0~440VAC/VDC	0~240VAC/VDC
Rotating speed	0~300 RPM	Insulation Resistance	≥1000MΩ/500VDC	≥1000MΩ/500VDC
Working Temperature	-30°C~80°C	Lead Wire	Customizable	Customizable
Operating Humidity	0~85% RH	Lead Length	Standard Length 300mm(adjustable)	
Contact Material	Gold-Gold (silver)	Insulating Strength	500VAC@50Hz, 60s	
Housing Material	aluminum alloy	Electric Noise	<0.01Ω	
Torque	0.1N.m ; +0.03N.m/6 rings			
Protection Grade	IP51~IP68			

Lead wires Color Code

Ring	1	2	3	4	5	6
Color	RED	WHT	BLU	BLK	YEL	GRY
Ring	7	8	9	10	11	12
Color	PUR	GRN	PNK	ORG	BRN	SLV

Contact the customer service if you have special requirements.

Options

Below special demands can be customized. According, the delivery date will be extended 3 to 15 days, and the cost will be increased 30% to 50%. Most of our basic parts are standard and modular, which can save the cost and lead time.

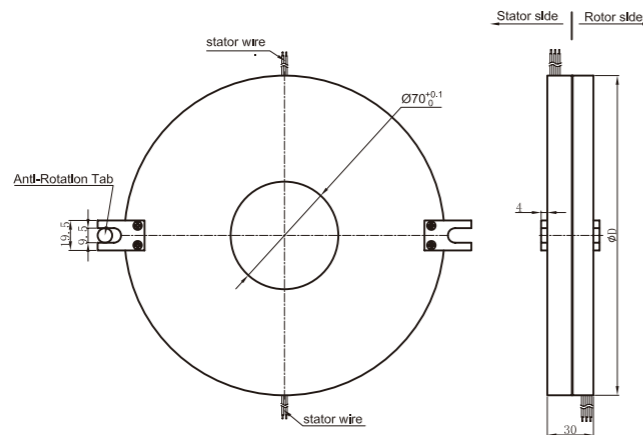
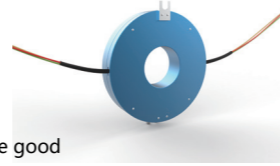
- * Cable exit way and cable length can be customized for both rotor and stator
- * Because of the structure limitation, length/height/OD can be customized for both rotor and stator
- * Support current or signal up to 200 rings
- * Optional aviation plug, terminal and heat-shrink tube
- * Hybrid slip ring for all brands of servo control signal, power line and encoder line
- * Support mixed high speed data transmission(including Ethernet, USB, RS232, RS485、Profibus、CanBUS、CANOPEN、DeviceNET、CC-LINK、ProfINET、EtherCAT, etc)
- * Combine temperature control signal with thermocouple signal
- * Special environment can be customized, such as quakeproof, high temperature, etc.
- * Hybrid pneumatic/hydraulic and electric slip ring can be mixed
- * Up to 500 degrees high temperature
- * Up to 110KV high voltage
- * Up to 20000RPM rotating speed
- * Maximum current can be up to 5000A
- * Military grade
- * Optional waterproof and underwater mode
- * Optional IP68
- * Optional C5 anti-corrosion grade
- * Optional stainless steel housing

NST070048007

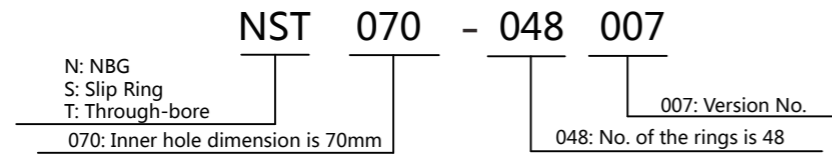
Pancake slip ring which OD is 70~71mm, thickness is 30mm.

Features

- Low torque, low loss, maintenance-free, low electric noise, long lifetime
- Pancake slip ring uses vacuum assistance resin infusion process
- Brushes are made of precious metal, which have high stability, high reliability to ensure good transmission and rotation



Part# Explanation



Part# List

Model	Rings No. (5A) *	Rings No. (10A) *	Rings No. (20A) *	OD φD (mm)
NST070002003	2	0	0	152
NST070002004	0	2	0	152
NST070004002	2	2	0	168
NST070004003	0	4	0	168
NST070006005	6	0	0	184
NST070006006	0	6	0	184
NST070006007	0	0	6	184
NST070006008	4	2	0	184
NST070012008	12	0	0	232
NST070012009	0	12	0	232
NST070012010	0	0	12	232
NST070012011	6	6	0	232
NST070012012	6	0	6	232
NST070018010	18	0	0	280
NST070018011	0	18	0	280
NST070018012	12	6	0	280
NST070018013	6	12	0	280
NST070018014	10	8	0	280
NST070024007	24	0	0	328
NST070024008	0	24	0	328
NST070024009	6	18	0	328
NST070024010	12	12	0	328
NST070036005	36	0	0	424
NST070048007	48	0	0	520

N rings 5A in parallel can be used as 1 channel N*5A. For example: 2 rings 5A in parallel can be used as 1 channel 10A
Contact the customer service if you have special requirements.

Specifications

Mechanical Data		Electrical Data		
Parameter	Value	Parameter	Value	
			Power	Signal
Lifetime	10~120 million revs	Rated Voltage	0~440VAC/VDC	0~240VAC/VDC
Rotating speed	0~300 RPM	Insulation Resistance	≥1000MΩ/500VDC	≥1000MΩ/500VDC
Working Temperature	-30°C~80°C	Lead Wire	Customizable	Customizable
Operating Humidity	0~85% RH	Lead Length	Standard Length 300mm(adjustable)	
Contact Material	Gold-Gold (silver)	Insulating Strength	500VAC@50Hz, 60s	
Housing Material	aluminum alloy	Electric Noise	<0.01Ω	
Torque	0.1N.m ; +0.03N.m/6 rings			
Protection Grade	IP51~IP68			

Lead wires Color Code

Ring	1	2	3	4	5	6
Color	RED	WHT	BLU	BLK	YEL	GRY
Ring	7	8	9	10	11	12
Color	PUR	GRN	PNK	ORG	BRN	SLV

Contact the customer service if you have special requirements.

Options

Below special demands can be customized. According, the delivery date will be extended 3 to 15 days, and the cost will be increased 30% to 50%. Most of our basic parts are standard and modular, which can save the cost and lead time.

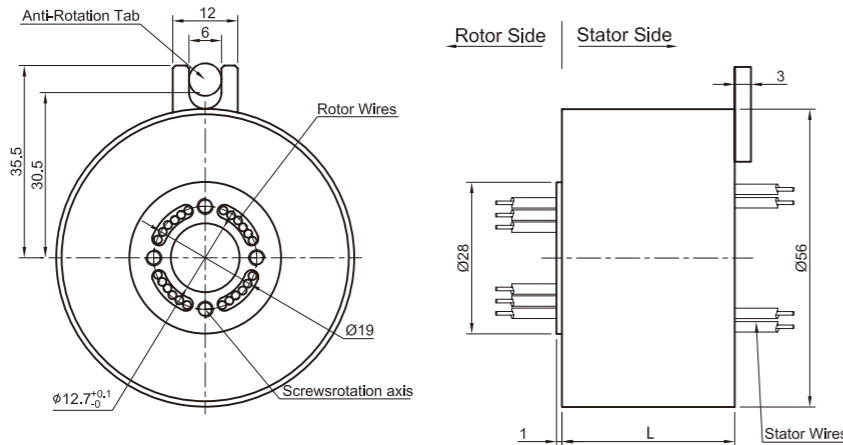
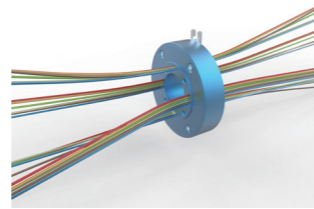
- * Cable exit way and cable length can be customized for both rotor and stator
- * Because of the structure limitation, length/height/OD can be customized for both rotor and stator
- * Support current or signal up to 200 rings
- * Optional aviation plug, terminal and heat-shrink tube
- * Hybrid slip ring for all brands of servo control signal, power line and encoder line
- * Support mixed high speed data transmission(including Ethernet, USB, RS232, RS485, Profibus, CanBUS, CANOPEN, DeviceNET, CC-LINK, ProfiNET, EtherCAT, etc)
- * Combine temperature control signal with thermocouple signal
- * Special environment can be customized, such as quakeproof, high temperature, etc.
- * Hybrid pneumatic/hydraulic and electric slip ring can be mixed
- * Up to 500 degrees high temperature
- * Up to 110KV high voltage
- * Up to 20000RPM rotating speed
- * Maximum current can be up to 5000A
- * Military grade
- * Optional waterproof and underwater mode
- * Optional IP68
- * Optional C5 anti-corrosion grade
- * Optional stainless steel housing

NST012024010

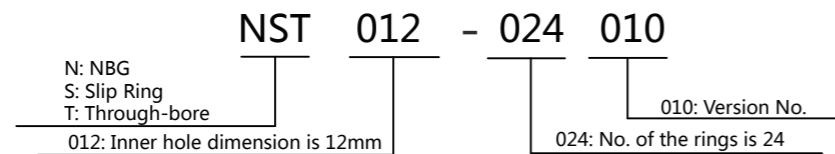
Pancake slip ring which OD is 12~13mm, thickness is 15.8-27mm.

Features

- Low torque, low loss, maintenance-free, low electric noise, long lifetime
- Pancake slip ring uses vacuum assistance resin infusion process
- Brushes are made of precious metal, which have high stability, high reliability to ensure good transmission and rotation



Part# Explanation



Part# List

Model	Rings No. (5A) *	Rings No. (10A) *	Rings No. (20A) *	OD φD (mm)
NST012002005	2	0	0	15.8
NST012002006	0	2	0	15.8
NST012004005	2	2	0	21.4
NST012004006	0	4	0	21.4
NST012006007	6	0	0	27
NST012006008	0	6	0	27
NST012006009	0	0	6	27
NST012006010	4	2	0	27
NST012012008	12	0	0	43.8
NST012012009	0	12	0	43.8
NST012012010	0	0	12	43.8
NST012012011	6	6	0	43.8
NST012012012	6	0	6	43.8
NST012018008	18	0	0	60.6
NST012018009	0	18	0	60.6
NST012018010	12	6	0	60.6
NST012018011	6	12	0	60.6
NST012018012	10	8	0	60.6
NST012024007	24	0	0	77.4
NST012024008	0	24	0	77.4
NST012024009	6	18	0	77.4
NST012024010	12	12	0	77.4

N rings 5A in parallel can be used as 1 channel N*5A. For example: 2 rings 5A in parallel can be used as 1 channel 10A
Contact the customer service if you have special requirements.

Specifications

Mechanical Data		Electrical Data		
Parameter	Value	Parameter	Value	
			Power	Signal
Lifetime	10~120 million revs	Rated Voltage	0~440VAC/VDC	0~240VAC/VDC
Rotating speed	0~300 RPM	Insulation Resistance	≥1000MΩ/500VDC	≥1000MΩ/500VDC
Working Temperature	-30°C~80°C	Lead Wire	Customizable	Customizable
Operating Humidity	0~85% RH	Lead Length	Standard Length 300mm(adjustable)	
Contact Material	Gold-Gold (silver)	Insulating Strength	500VAC@50Hz , 60s	
Housing Material	aluminum alloy	Electric Noise	<0.01Ω	
Torque	0.1N.m ; +0.03N.m/6 rings			
Protection Grade	IP51~IP68			

Lead wires Color Code

Ring	1	2	3	4	5	6
Color	RED	WHT	BLU	BLK	YEL	GRY
Ring	7	8	9	10	11	12
Color	PUR	GRN	PNK	ORG	BRN	SLV

Contact the customer service if you have special requirements.

Options

Below special demands can be customized. According, the delivery date will be extended 3 to 15 days, and the cost will be increased 30% to 50%. Most of our basic parts are standard and modular, which can save the cost and lead time.

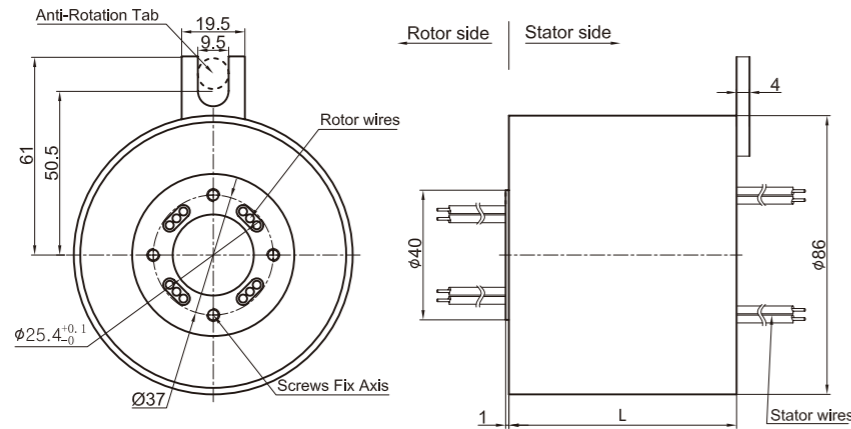
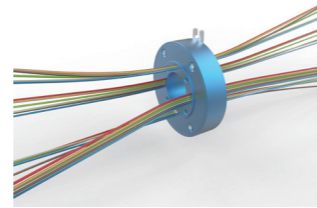
- * Cable exit way and cable length can be customized for both rotor and stator
- * Because of the structure limitation, length/height/OD can be customized for both rotor and stator
- * Support current or signal up to 200 rings
- * Optional aviation plug, terminal and heat-shrink tube
- * Hybrid slip ring for all brands of servo control signal, power line and encoder line
- * Support mixed high speed data transmission(including Ethernet, USB, RS232, RS485、Profibus、CanBUS、CANOPEN、DeviceNET、CC-LINK、ProfiNET、EtherCAT, etc)
- * Combine temperature control signal with thermocouple signal
- * Special environment can be customized, such as quakeproof, high temperature, etc.
- * Hybrid pneumatic/hydraulic and electric slip ring can be mixed
- * Up to 500 degrees high temperature
- * Up to 110KV high voltage
- * Up to 20000RPM rotating speed
- * Maximum current can be up to 5000A
- * Military grade
- * Optional waterproof and underwater mode
- * Optional IP68
- * Optional C5 anti-corrosion grade
- * Optional stainless steel housing

NST025024026

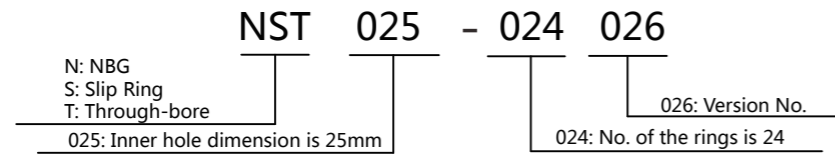
Pancake slip ring which OD is 25~26mm, thickness is 17.1-30.7mm.

Features

- Low torque, low loss, maintenance-free, low electric noise, long lifetime
- Pancake slip ring uses vacuum assistance resin infusion process
- Brushes are made of precious metal, which have high stability, high reliability to ensure good transmission and rotation



Part# Explanation



Part# List

Model	Rings No. (5A) *	Rings No. (10A) *	Rings No. (20A) *	OD φD (mm)
NST025002012	2	0	0	17.1
NST025002013	0	2	0	17.1
NST025004009	2	2	0	23.9
NST025004010	0	4	0	23.9
NST025006019	6	0	0	30.7
NST025006020	0	6	0	30.7
NST025006021	0	0	6	30.7
NST025006022	4	2	0	30.7
NST025012029	12	0	0	51.1
NST025012030	0	12	0	51.1
NST025012031	0	0	12	51.1
NST025012032	6	6	0	51.1
NST025012033	6	0	6	51.1
NST025018033	18	0	0	71.5
NST025018034	0	18	0	71.5
NST025018035	12	6	0	71.5
NST025018036	6	12	0	71.5
NST025018037	10	8	0	71.5
NST025024023	24	0	0	91.9
NST025024024	0	24	0	91.9
NST025024025	6	18	0	91.9
NST025024026	12	12	0	91.9

N rings 5A in parallel can be used as 1 channel N*5A. For example: 2 rings 5A in parallel can be used as 1 channel 10A
Contact the customer service if you have special requirements.

Specifications

Mechanical Data		Electrical Data		
Parameter	Value	Parameter	Value	
			Power	Signal
Lifetime	10~120 million revs	Rated Voltage	0~440VAC/VDC	0~240VAC/VDC
Rotating speed	0~300 RPM	Insulation Resistance	≥1000MΩ/500VDC	≥1000MΩ/500VDC
Working Temperature	-30°C~80°C	Lead Wire	Customizable	Customizable
Operating Humidity	0~85% RH	Lead Length	Standard Length 300mm(adjustable)	
Contact Material	Gold-Gold (silver)	Insulating Strength	500VAC@50Hz , 60s	
Housing Material	aluminum alloy	Electric Noise	<0.01Ω	
Torque	0.1N.m ; +0.03N.m/6 rings			
Protection Grade	IP51~IP68			

Lead wires Color Code

Ring	1	2	3	4	5	6
Color	RED	WHT	BLU	BLK	YEL	GRY
Ring	7	8	9	10	11	12
Color	PUR	GRN	PNK	ORG	BRN	SLV

Contact the customer service if you have special requirements.

Options

Below special demands can be customized. According, the delivery date will be extended 3 to 15 days, and the cost will be increased 30% to 50%. Most of our basic parts are standard and modular, which can save the cost and lead time.

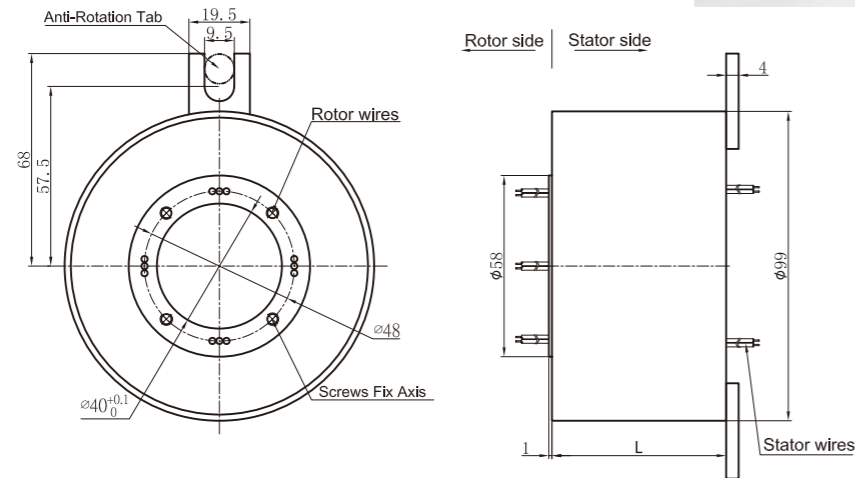
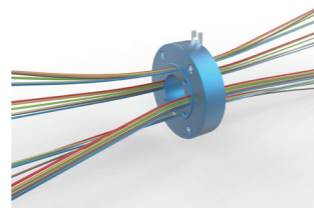
- * Cable exit way and cable length can be customized for both rotor and stator
- * Because of the structure limitation, length/height/OD can be customized for both rotor and stator
- * Support current or signal up to 200 rings
- * Optional aviation plug, terminal and heat-shrink tube
- * Hybrid slip ring for all brands of servo control signal, power line and encoder line
- * Support mixed high speed data transmission(including Ethernet, USB, RS232, RS485、 Profibus、 CanBUS、 CANOPEN、 DeviceNET、 CC-LINK、 ProfiNET、 EtherCAT, etc)
- * Combine temperature control signal with thermocouple signal
- * Special environment can be customized, such as quakeproof, high temperature, etc.
- * Hybrid pneumatic/hydraulic and electric slip ring can be mixed
- * Up to 500 degrees high temperature
- * Up to 110KV high voltage
- * Up to 20000RPM rotating speed
- * Maximum current can be up to 5000A
- * Military grade
- * Optional waterproof and underwater mode
- * Optional IP68
- * Optional C5 anti-corrosion grade
- * Optional stainless steel housing

NST040024005

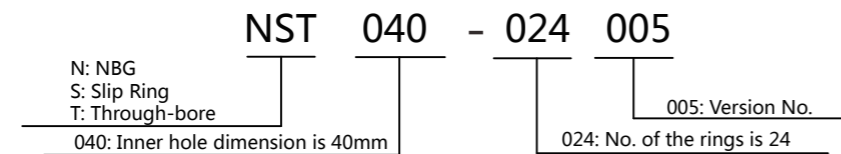
Pancake slip ring which OD is 40~41mm, thickness is 17.1-30.7mm.

Features

- Low torque, low loss, maintenance-free, low electric noise, long lifetime
- Pancake slip ring uses vacuum assistance resin infusion process
- Brushes are made of precious metal, which have high stability, high reliability to ensure good transmission and rotation



Part# Explanation



Part# List

Model	Rings No. (5A) *	Rings No. (10A) *	Rings No. (20A) *	OD φD (mm)
NST040002003	2	0	0	17.1
NST040002004	0	2	0	17.1
NST040004003	2	2	0	23.9
NST040004004	0	4	0	23.9
NST040006005	6	0	0	30.7
NST040006006	0	6	0	30.7
NST040006007	0	0	6	30.7
NST040006008	4	2	0	30.7
NST040012006	12	0	0	51.1
NST040012007	0	12	0	51.1
NST040012008	0	0	12	51.1
NST040012009	6	6	0	51.1
NST040012010	6	0	6	51.1
NST040018006	18	0	0	71.5
NST040018007	0	18	0	71.5
NST040018008	12	6	0	71.5
NST040018009	6	12	0	71.5
NST040018010	10	8	0	71.5
NST040024002	24	0	0	91.9
NST040024003	0	24	0	91.9
NST040024004	6	18	0	91.9
NST040024005	12	12	0	91.9

N rings 5A in parallel can be used as 1 channel N*5A. For example: 2 rings 5A in parallel can be used as 1 channel 10A
Contact the customer service if you have special requirements.

Specifications

Mechanical Data		Electrical Data		
Parameter	Value	Parameter	Value	
			Power	Signal
Lifetime	10~120 million revs	Rated Voltage	0~440VAC/VDC	0~240VAC/VDC
Rotating speed	0~300 RPM	Insulation Resistance	≥1000MΩ/500VDC	≥1000MΩ/500VDC
Working Temperature	-30°C~80°C	Lead Wire	Customizable	Customizable
Operating Humidity	0~85% RH	Lead Length	Standard Length 300mm(adjustable)	
Contact Material	Gold-Gold (silver)	Insulating Strength	500VAC@50Hz , 60s	
Housing Material	aluminum alloy	Electric Noise	<0.01Ω	
Torque	0.1N.m ; +0.03N.m/6 rings			
Protection Grade	IP51~IP68			

Lead wires Color Code

Ring	1	2	3	4	5	6
Color	RED	WHT	BLU	BLK	YEL	GRY
Ring	7	8	9	10	11	12
Color	PUR	GRN	PNK	ORG	BRN	SLV

Contact the customer service if you have special requirements.

Options

Below special demands can be customized. According, the delivery date will be extended 3 to 15 days, and the cost will be increased 30% to 50%. Most of our basic parts are standard and modular, which can save the cost and lead time.

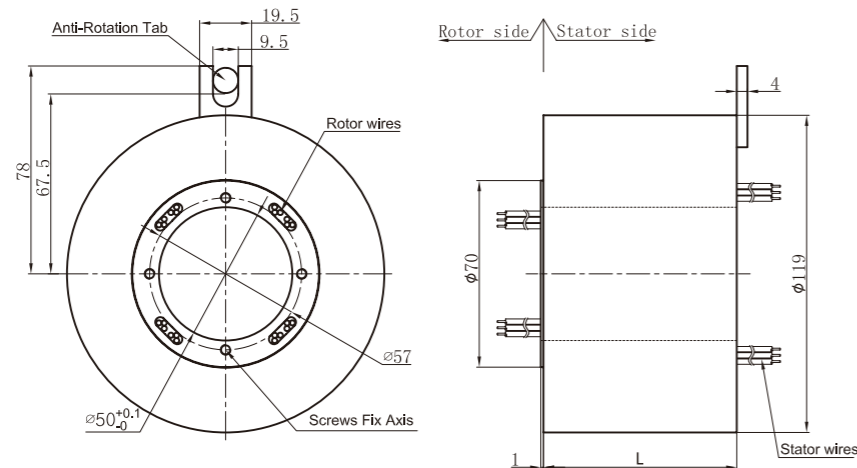
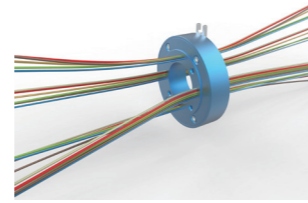
- * Cable exit way and cable length can be customized for both rotor and stator
- * Because of the structure limitation, length/height/OD can be customized for both rotor and stator
- * Support current or signal up to 200 rings
- * Optional aviation plug, terminal and heat-shrink tube
- * Hybrid slip ring for all brands of servo control signal, power line and encoder line
- * Support mixed high speed data transmission(including Ethernet, USB, RS232, RS485、 Profibus、 CanBUS、 CANOPEN、 DeviceNET、 CC-LINK、 ProfiNET、 EtherCAT, etc)
- * Combine temperature control signal with thermocouple signal
- * Special environment can be customized, such as quakeproof, high temperature, etc.
- * Hybrid pneumatic/hydraulic and electric slip ring can be mixed
- * Up to 500 degrees high temperature
- * Up to 110KV high voltage
- * Up to 20000RPM rotating speed
- * Maximum current can be up to 5000A
- * Military grade
- * Optional waterproof and underwater mode
- * Optional IP68
- * Optional C5 anti-corrosion grade
- * Optional stainless steel housing

NST050024014

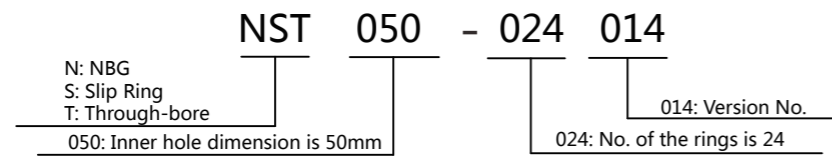
Pancake slip ring which OD is 50~51mm, thickness is 17.1-30.7mm.

Features

- Low torque, low loss, maintenance-free, low electric noise, long lifetime
- Pancake slip ring uses vacuum assistance resin infusion process
- Brushes are made of precious metal, which have high stability, high reliability to ensure good transmission and rotation



Part# Explanation



Part# List

Model	Rings No. (5A) *	Rings No. (10A) *	Rings No. (20A) *	OD φD (mm)
NST050002017	2	0	0	17.1
NST050002018	0	2	0	17.1
NST050004014	2	2	0	23.9
NST050004015	0	4	0	23.9
NST050006017	6	0	0	30.7
NST050006018	0	6	0	30.7
NST050006019	0	0	6	30.7
NST050006020	4	2	0	30.7
NST050012013	12	0	0	51.1
NST050012014	0	12	0	51.1
NST050012015	0	0	12	51.1
NST050012016	6	6	0	51.1
NST050012017	6	0	6	51.1
NST050018015	18	0	0	71.5
NST050018016	0	18	0	71.5
NST050018017	12	6	0	71.5
NST050018018	6	12	0	71.5
NST050018019	10	8	0	71.5
NST050024011	24	0	0	91.9
NST050024012	0	24	0	91.9
NST050024013	6	18	0	91.9
NST050024014	12	12	0	91.9

注：N个5A滑道并起来可作为1路N*5A滑道使用；比如2环5A并起来做作为1路10A使用。如有特殊要求，请咨询客服。

Specifications

Mechanical Data		Electrical Data		
Parameter	Value	Parameter	Value	
			Power	Signal
Lifetime	10~120 million revs	Rated Voltage	0~440VAC/VDC	0~240VAC/VDC
Rotating speed	0~300 RPM	Insulation Resistance	≥1000MΩ/500VDC	≥1000MΩ/500VDC
Working Temperature	-30°C~80°C	Lead Wire	Customizable	Customizable
Operating Humidity	0~85% RH	Lead Length	Standard Length 300mm(adjustable)	
Contact Material	Gold-Gold (silver)	Insulating Strength	500VAC@50Hz , 60s	
Housing Material	aluminum alloy	Electric Noise	<0.01Ω	
Torque	0.1N.m ; +0.03N.m/6 rings			
Protection Grade	IP51~IP68			

Lead wires Color Code

Ring	1	2	3	4	5	6
Color	RED	WHT	BLU	BLK	YEL	GRY
Ring	7	8	9	10	11	12
Color	PUR	GRN	PNK	ORG	BRN	SLV

Contact the customer service if you have special requirements.

Options

Below special demands can be customized. According, the delivery date will be extended 3 to 15 days, and the cost will be increased 30% to 50%. Most of our basic parts are standard and modular, which can save the cost and lead time.

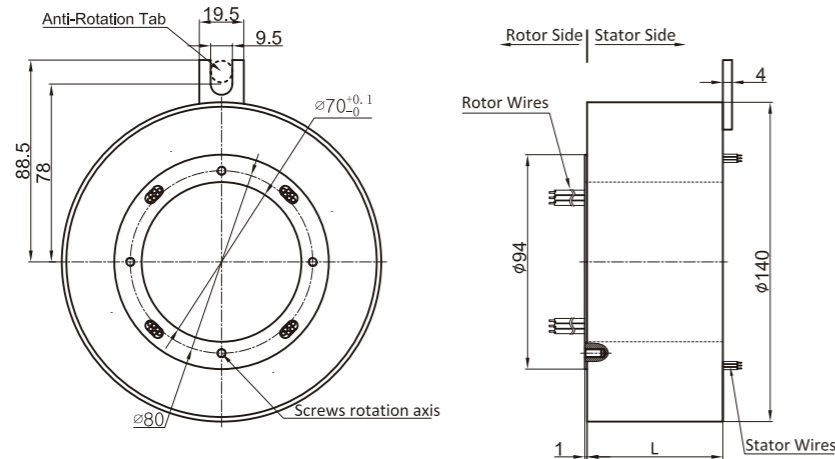
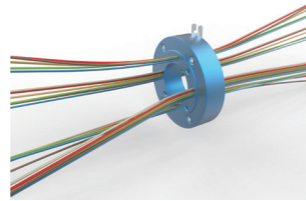
- * Cable exit way and cable length can be customized for both rotor and stator
- * Because of the structure limitation, length/height/OD can be customized for both rotor and stator
- * Support current or signal up to 200 rings
- * Optional aviation plug, terminal and heat-shrink tube
- * Hybrid slip ring for all brands of servo control signal, power line and encoder line
- * Support mixed high speed data transmission(including Ethernet, USB, RS232, RS485、Profibus、CanBUS、CANOPEN、DeviceNET、CC-LINK、ProfiNET、EtherCAT, etc)
- * Combine temperature control signal with thermocouple signal
- * Special environment can be customized, such as quakeproof, high temperature, etc.
- * Hybrid pneumatic/hydraulic and electric slip ring can be mixed
- * Up to 500 degrees high temperature
- * Up to 110KV high voltage
- * Up to 20000RPM rotating speed
- * Maximum current can be up to 5000A
- * Military grade
- * Optional waterproof and underwater mode
- * Optional IP68
- * Optional C5 anti-corrosion grade
- * Optional stainless steel housing

NST070024014

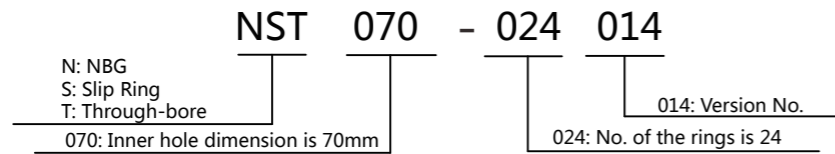
Pancake slip ring which OD is 70~71mm, thickness is 17.5-29.5mm.

Features

- Low torque, low loss, maintenance-free, low electric noise, long lifetime
- Pancake slip ring uses vacuum assistance resin infusion process
- Brushes are made of precious metal, which have high stability, high reliability to ensure good transmission and rotation



Part# Explanation



Part# List

Model	Rings No. (5A) *	Rings No. (10A) *	Rings No. (20A) *	OD φD (mm)
NST070002005	2	0	0	17.5
NST070002006	0	2	0	17.5
NST070004005	2	2	0	23.5
NST070004006	0	4	0	23.5
NST070006009	6	0	0	29.5
NST070006010	0	6	0	29.5
NST070006011	0	0	6	29.5
NST070006012	4	2	0	29.5
NST070012013	12	0	0	47.5
NST070012014	0	12	0	47.5
NST070012015	0	0	12	47.5
NST070012016	6	6	0	47.5
NST070012017	6	0	6	47.5
NST070018015	18	0	0	65.5
NST070018016	0	18	0	65.5
NST070018017	12	6	0	65.5
NST070018018	6	12	0	65.5
NST070018019	10	8	0	65.5
NST070024011	24	0	0	83.5
NST070024012	0	24	0	83.5
NST070024013	6	18	0	83.5
NST070024014	12	12	0	83.5

N rings 5A in parallel can be used as 1 channel N*5A. For example: 2 rings 5A in parallel can be used as 1 channel 10A
Contact the customer service if you have special requirements.

Specifications

Mechanical Data		Electrical Data		
Parameter	Value	Parameter	Value	
			Power	Signal
Lifetime	10~120 million revs	Rated Voltage	0~440VAC/VDC	0~240VAC/VDC
Rotating speed	0~300 RPM	Insulation Resistance	≥1000MΩ/500VDC	≥1000MΩ/500VDC
Working Temperature	-30°C~80°C	Lead Wire	Customizable	Customizable
Operating Humidity	0~85% RH	Lead Length	Standard Length 300mm(adjustable)	
Contact Material	Gold-Gold (silver)	Insulating Strength	500VAC@50Hz , 60s	
Housing Material	aluminum alloy	Electric Noise	<0.01Ω	
Torque	0.1N.m ; +0.03N.m/6 rings			
Protection Grade	IP51~IP68			

Lead wires Color Code

Ring	1	2	3	4	5	6
Color	RED	WHT	BLU	BLK	YEL	GRY
Ring	7	8	9	10	11	12
Color	PUR	GRN	PNK	ORG	BRN	SLV

Contact the customer service if you have special requirements.

Options

Below special demands can be customized. According, the delivery date will be extended 3 to 15 days, and the cost will be increased 30% to 50%. Most of our basic parts are standard and modular, which can save the cost and lead time.

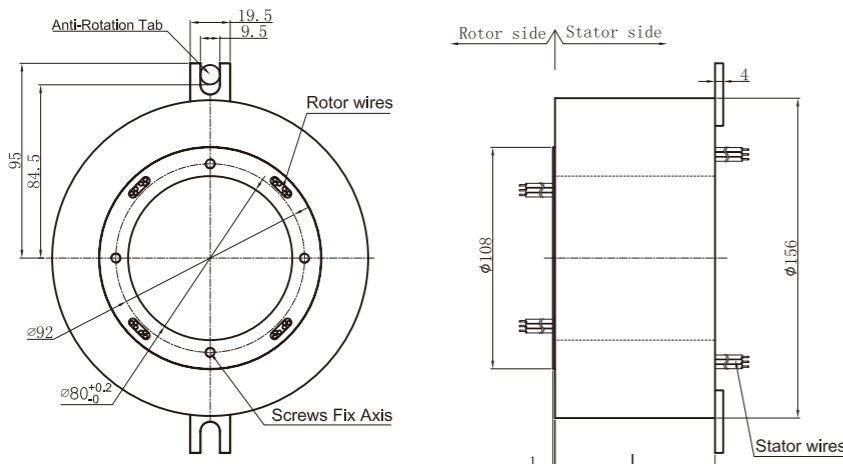
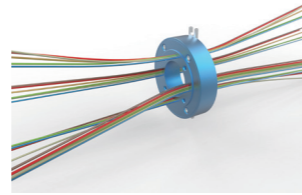
- * Cable exit way and cable length can be customized for both rotor and stator
- * Because of the structure limitation, length/height/OD can be customized for both rotor and stator
- * Support current or signal up to 200 rings
- * Optional aviation plug, terminal and heat-shrink tube
- * Hybrid slip ring for all brands of servo control signal, power line and encoder line
- * Support mixed high speed data transmission(including Ethernet, USB, RS232, RS485, Profibus, CanBUS, CANOPEN, DeviceNET, CC-LINK, ProfiNET, EtherCAT, etc)
- * Combine temperature control signal with thermocouple signal
- * Special environment can be customized, such as quakeproof, high temperature, etc.
- * Hybrid pneumatic/hydraulic and electric slip ring can be mixed
- * Up to 500 degrees high temperature
- * Up to 110KV high voltage
- * Up to 20000RPM rotating speed
- * Maximum current can be up to 5000A
- * Military grade
- * Optional waterproof and underwater mode
- * Optional IP68
- * Optional C5 anti-corrosion grade
- * Optional stainless steel housing

NST080024010

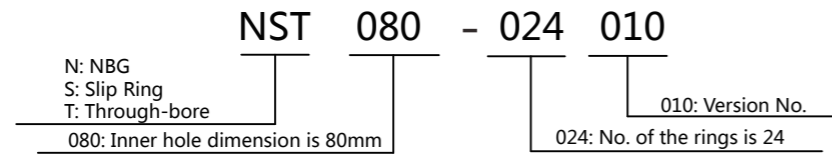
Pancake slip ring which OD is 80~81mm, thickness is 18.2-31mm.

Features

- Low torque, low loss, maintenance-free, low electric noise, long lifetime
- Pancake slip ring uses vacuum assistance resin infusion process
- Brushes are made of precious metal, which have high stability, high reliability to ensure good transmission and rotation



Part# Explanation



Part# List

Model	Rings No. (5A) *	Rings No. (10A) *	Rings No. (20A) *	OD φD (mm)
NST080002003	2	0	0	18.2
NST080002004	0	2	0	18.2
NST080004002	2	2	0	24.6
NST080004003	0	4	0	24.6
NST080006005	6	0	0	31
NST080006006	0	6	0	31
NST080006007	0	0	6	31
NST080006008	4	2	0	31
NST080012008	12	0	0	50.2
NST080012009	0	12	0	50.2
NST080012010	0	0	12	50.2
NST080012011	6	6	0	50.2
NST080012012	6	0	6	50.2
NST080018010	18	0	0	69.4
NST080018011	0	18	0	69.4
NST080018012	12	6	0	69.4
NST080018013	6	12	0	69.4
NST080018014	10	8	0	69.4
NST080024007	24	0	0	88.6
NST080024008	0	24	0	88.6
NST080024009	6	18	0	88.6
NST080024010	12	12	0	88.6

N rings 5A in parallel can be used as 1 channel N*5A. For example: 2 rings 5A in parallel can be used as 1 channel 10A
Contact the customer service if you have special requirements.

Specifications

Mechanical Data		Electrical Data		
Parameter	Value	Parameter	Value	
			Power	Signal
Lifetime	10~120 million revs	Rated Voltage	0~440VAC/VDC	0~240VAC/VDC
Rotating speed	0~300 RPM	Insulation Resistance	≥1000MΩ/500VDC	≥1000MΩ/500VDC
Working Temperature	-30°C~80°C	Lead Wire	Customizable	Customizable
Operating Humidity	0~85% RH	Lead Length	Standard Length 300mm(adjustable)	
Contact Material	Gold-Gold (silver)	Insulating Strength	500VAC@50Hz , 60s	
Housing Material	aluminum alloy	Electric Noise	<0.01Ω	
Torque	0.1N.m ; +0.03N.m/6 rings			
Protection Grade	IP51~IP68			

Lead wires Color Code

Ring	1	2	3	4	5	6
Color	RED	WHT	BLU	BLK	YEL	GRY
Ring	7	8	9	10	11	12
Color	PUR	GRN	PNK	ORG	BRN	SLV

Contact the customer service if you have special requirements.

Options

Below special demands can be customized. According, the delivery date will be extended 3 to 15 days, and the cost will be increased 30% to 50%. Most of our basic parts are standard and modular, which can save the cost and lead time.

- * Cable exit way and cable length can be customized for both rotor and stator
- * Because of the structure limitation, length/height/OD can be customized for both rotor and stator
- * Support current or signal up to 200 rings
- * Optional aviation plug, terminal and heat-shrink tube
- * Hybrid slip ring for all brands of servo control signal, power line and encoder line
- * Support mixed high speed data transmission(including Ethernet, USB, RS232, RS485, Profibus, CanBUS, CANOPEN, DeviceNET, CC-LINK, ProfiNET, EtherCAT, etc)
- * Combine temperature control signal with thermocouple signal
- * Special environment can be customized, such as quakeproof, high temperature, etc.
- * Hybrid pneumatic/hydraulic and electric slip ring can be mixed
- * Up to 500 degrees high temperature
- * Up to 110KV high voltage
- * Up to 20000RPM rotating speed
- * Maximum current can be up to 5000A
- * Military grade
- * Optional waterproof and underwater mode
- * Optional IP68
- * Optional C5 anti-corrosion grade
- * Optional stainless steel housing