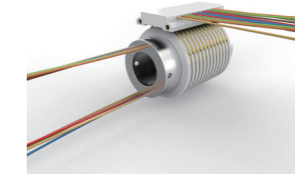


NST Series- Separated Slip Ring

In some applications, especially in small and precious devices, separated rotor and brushes can solve the installation problem in limited size.

Features

- Options for 2-10 rings
- Options for 9.5mm to 60mm through-bore or solid hole
- The rotor and stator can be installed separately
- Save installation space and weight
- V-shape groove gold-plated design with characteristics of anti-oxidation, waterproof



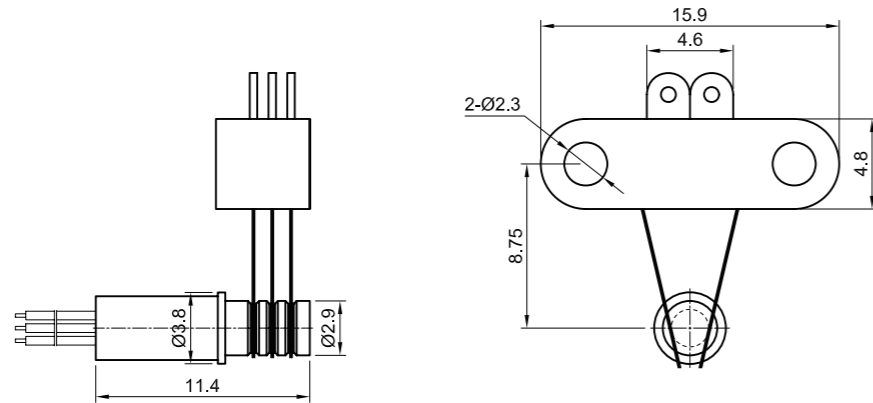
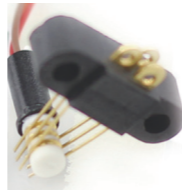
Model# List

Model	ID (mm)	OD (mm)	Rings No. (Circuits)	Current (A)	Remark
NST000003019 NST000003020	0	2.9	3	Signal/2A	Ultra miniature
NST009006001 NST009006002	9.5	14.73	6	Signal/2A	Miniature through bore
NST009012003 NST009012004	9.5	14.73	12	Signal/2A	Miniature through bore
NST030012008 NST030012009	30	64	12	Signal/2A	Common
NST060012001 NST060012002	60	94	12	Signal/2A	Common

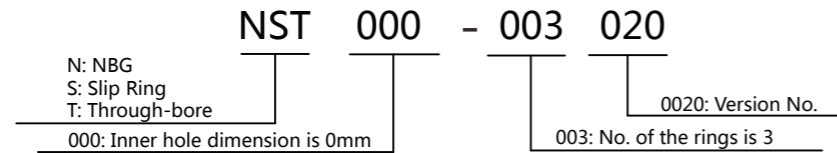
Contact the customer service if you have special requirements.

NST000003020

NST 3 rings/1A separated slip ring is a mini-type slip ring. It adopts a separated rotor and contact brushes combination, supporting 3 rings signals/2A. The exiting wires in rotor and stator sides are correspondingly 3 colored wires, it can simplify the electrical connection. It has the characteristics of smooth rotation, low torque and low electric noise.



Part# Explanation



Part# List

Model	Rings No. (1A) *	Product Level
NST000003019	3	Common
NST000003020	3	High

N rings 1A in parallel can be used as 1 channel N*1A current. For example: 2 rings 1A in parallel can be used as 1 channel 2A
Contact the customer service if you have special requirements.

Specifications

Mechanical Data		Electrical Data		
Parameter	Value	Parameter	Value	
			Power	Signal
Lifetime	10~120 million revs	Rated Voltage	0~210VAC/VDC	0~210VAC/VDC
Rated Speed	0~300RPM	Insulation Resistance	≥1000MΩ/500VDC	≥1000MΩ/500VDC
Working Temp.	-30°C~80°C	Lead wires	Customizable	Customizable
Working Humidity	0~85% RH	Lead length	Standard length 300mm (Customizable)	
Contact Material	Gold-Gold	Insulating Strength	500VAC@50Hz, 60s	
Torque	0.02N.m ; +0.03N.m/6 rings	Electric Noise	<0.01Ω	

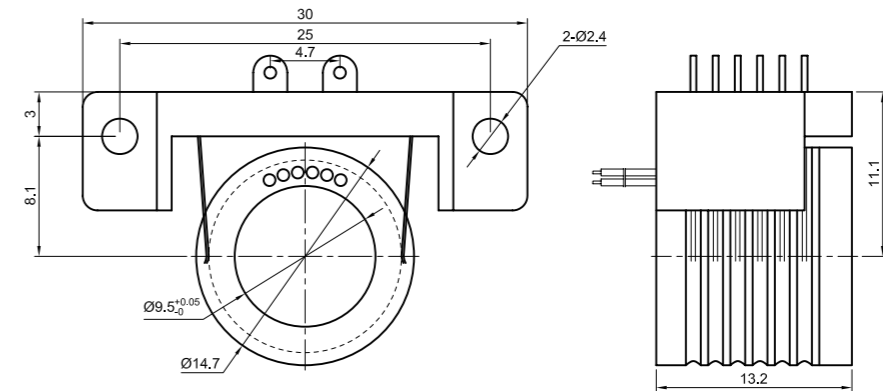
Lead wires Color Code

Ring	1	2	3
Color	RED	WHT	BLU

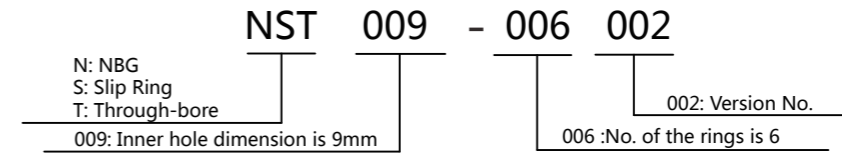
Contact the customer service if you have special requirements.

NST009006002

NST 6 rings/2A separated slip ring is a mini-type slip ring. It adopts a separated rotor and contact brushes combination, supporting 3 rings signals/2A. The exiting wires in rotor and stator sides are correspondingly 3 colored wires, it can simplify the electrical connection. It has the characteristics of smooth rotation, low torque and low electric noise.



Part# Explanation



Part# List

Model	Rings No. (1A) *	Product Level
NST009006001	6	Common
NST009006002	6	High

N rings 1A in parallel can be used as 1 channel N*1A current. For example: 2 rings 1A in parallel can be used as 1 channel 2A
Contact the customer service if you have special requirements.

Specifications

Mechanical Data		Electrical Data		
Parameter	Value	Parameter	Value	
			Power	Signal
Lifetime	10~120 million revs	Rated Voltage	0~210VAC/VDC	0~210VAC/VDC
Rated Speed	0~300RPM	Insulation Resistance	≥1000MΩ/500VDC	≥1000MΩ/500VDC
Working Temp.	-30°C~80°C	Lead wires	Customizable	Customizable
Working Humidity	0~85% RH	Lead length	Standard length 300mm (Customizable)	
Contact Material	Gold-Gold	Insulating Strength	500VAC@50Hz, 60s	
Torque	0.02N.m ; +0.03N.m/6 rings	Electric Noise	<0.01Ω	

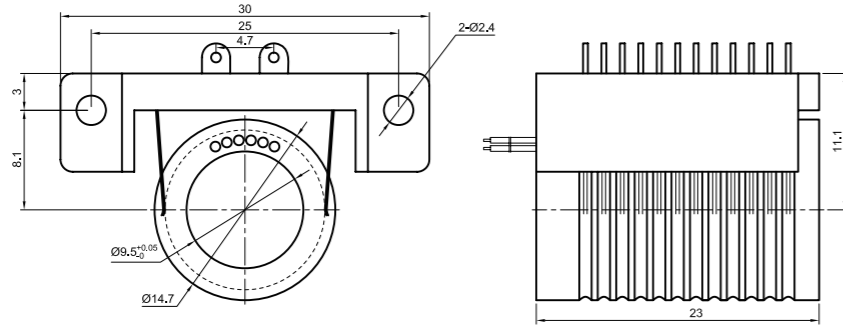
Lead wires Color Code

Ring	1	2	3	4	5	6
Color	RED	WHT	BLU	BLK	YEL	GRY

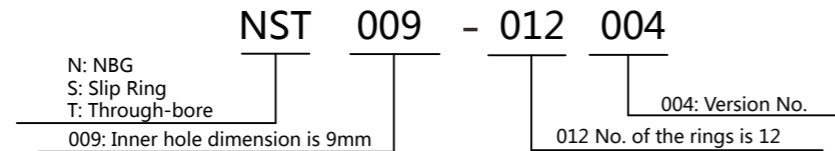
Contact the customer service if you have special requirements.

NST009012004

NST 12 rings/2A separated slip ring is a mini-type slip ring. It adopts a separated rotor and contact brushes combination, supporting 3 rings signals/2A. The exiting wires in rotor and stator sides are correspondingly 3 colored wires, it can simplify the electrical connection. It has the characteristics of smooth rotation, low torque and low electric noise.



Part# Explanation



Part# List

Model	Rings No. (2A) *	Product Level
NST009012003	12	Common
NST009012004	12	High

N rings 1A in parallel can be used as 1 channel N*1A current. For example: 2 rings 1A in parallel can be used as 1 channel 2A
Contact the customer service if you have special requirements.

Specifications

Mechanical Data		Electrical Data		
Parameter	Value	Parameter	Value	
			Power	Signal
Lifetime	10~120 million revs	Rated Voltage	0~210VAC/VDC	0~210VAC/VDC
Rated Speed	0~300RPM	Insulation Resistance	≥1000MΩ/500VDC	≥1000MΩ/500VDC
Working Temp.	-30°C~80°C	Lead wires	Customizable	Customizable
Working Humidity	0~85% RH	Lead length	Standard length 300mm (Customizable)	
Contact Material	Gold-Gold	Insulating Strength	500VAC@50Hz, 60s	
Torque	0.02N.m ; +0.03N.m/6 rings	Electric Noise	<0.01Ω	

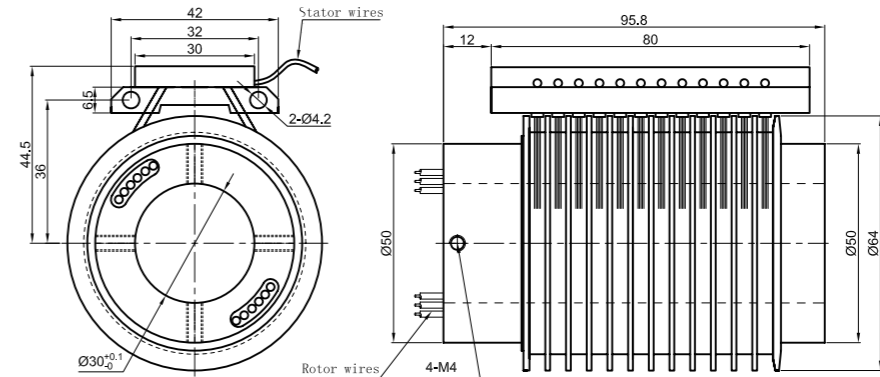
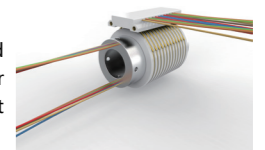
Lead wires Color Code

Ring	1	2	3	4	5	6
Color	RED	WHT	BLU	BLK	YEL	GRY
Ring	7	8	9	10	11	12
Color	PUR	GRN	PNK	ORG	BRN	SLV

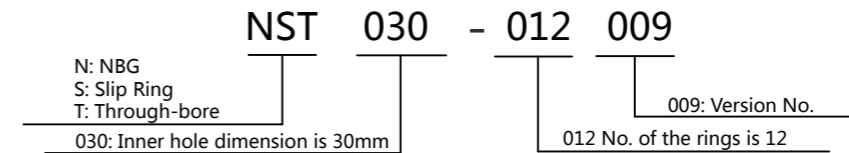
Contact the customer service if you have special requirements.

NST030012009

Bore diameter 30mm, 12 ring/2A separated slip ring is a mini-type slip ring. It adopts a separated rotor and contact brushes combination, supporting 3 rings signals/2A. The exiting wires in rotor and stator sides are correspondingly 3 colored wires, it can simplify the electrical connection. It has the characteristics of smooth rotation, low torque and low electric noise.



Part# Explanation



Part# List

Model	Rings No. (2A) *	Product Level
NST030012008	12	Common
NST030012009	12	High

N rings 1A in parallel can be used as 1 channel N*1A current. For example: 2 rings 1A in parallel can be used as 1 channel 2A
Contact the customer service if you have special requirements.

Specifications

Mechanical Data		Electrical Data		
Parameter	Value	Parameter	Value	
			Power	Signal
Lifetime	10~120 million revs	Rated Voltage	0~440VAC/VDC	0~440VAC/VDC
Rated Speed	0~300RPM	Insulation Resistance	≥1000MΩ/500VDC	≥1000MΩ/500VDC
Working Temp.	-30°C~80°C	Lead wires	Customizable	Customizable
Working Humidity	0~85% RH	Lead length	Standard length 300mm (Customizable)	
Contact Material	Gold-Gold	Insulating Strength	500VAC@50Hz, 60s	
Torque	0.1N.m ; +0.03N.m/6 rings	Electric Noise	<0.01Ω	

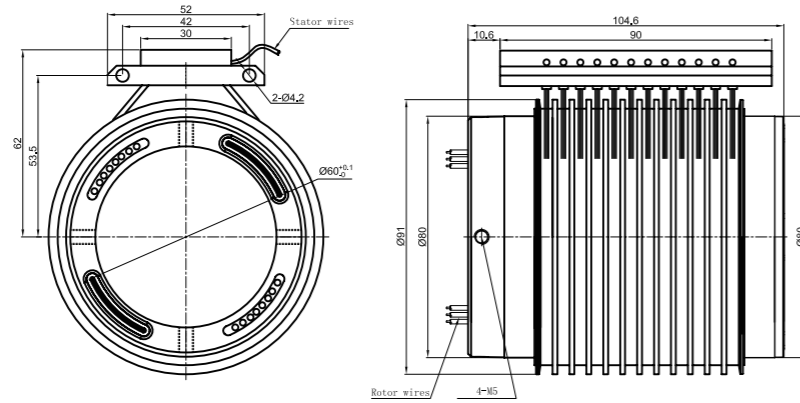
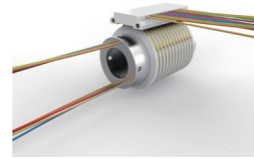
Lead wires Color Code

Ring	1	2	3	4	5	6
Color	RED	WHT	BLU	BLK	YEL	GRY
Ring	7	8	9	10	11	12
Color	PUR	GRN	PNK	ORG	BRN	SLV

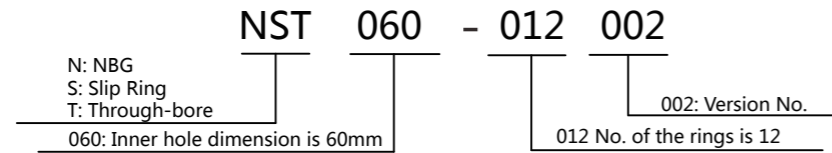
Contact the customer service if you have special requirements.

NST0600012002

Bore diameter 60mm, 6 ring/10A separated slip ring is a mini-type slip ring. It adopts a separated rotor and contact brushes combination, supporting 3 rings signals/2A. The exiting wires in rotor and stator sides are correspondingly 3 colored wires, it can simplify the electrical connection. It has the characteristics of smooth rotation, low torque and low electric noise.



Part# Explanation



Part# List

Model	Rings No. (2A) *	Product Level
NST060006001	12	Common
NST060006002	12	High

N rings 10A in parallel can be used as 1 channel N*10A current. For example: 2 rings 10A in parallel can be used as 1 channel 20A
Contact the customer service if you have special requirements.

Specifications

Mechanical Data		Electrical Data		
Parameter	Value	Parameter	Value	
			Power	Signal
Lifetime	10~120 million revs	Rated Voltage	0~440VAC/VDC	0~440VAC/VDC
Rated Speed	0~300RPM	Insulation Resistance	≥1000MΩ/500VDC	≥1000MΩ/500VDC
Working Temp.	-30°C~80°C	Lead wires	Customizable	Customizable
Working Humidity	0~85% RH	Lead length	Standard length 300mm (Customizable)	
Contact Material	Gold-Gold	Insulating Strength	500VAC@50Hz , 60s	
Torque	0.1N.m ; +0.03N.m/6 rings	Electric Noise	<0.01Ω	

Lead wires Color Code

Ring	1	2	3	4	5	6
Color	RED	WHT	BLU	BLK	YEL	GRY
Ring	7	8	9	10	11	12
Color	PUR	GRN	PNK	ORG	BRN	SLV

Contact the customer service if you have special requirements.